

► *VelyenPremium*

**4EF0100**

Mobile Columns Lift

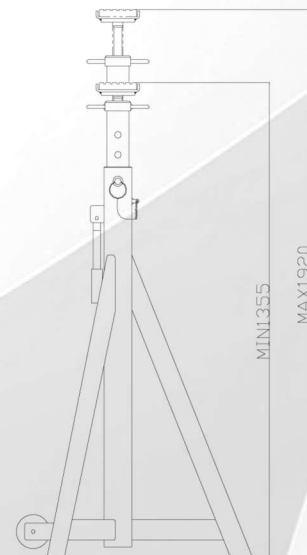
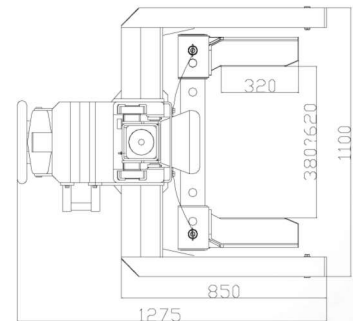
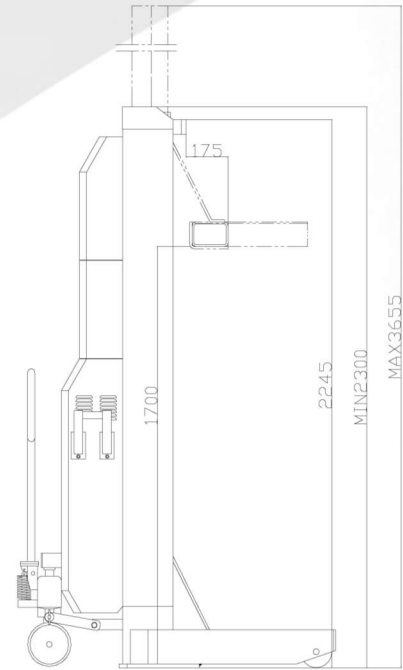
7.500 Kg





## General Features:

- Homologated and certified product according to the new European Machinery Directive 2006/42/CE and Harmonized Standards EN 1493:2010.
- Electro-hydraulic columns of 7.500 Kg each.
- Lifting configurations:
  - 4-columns set: 1 master + 3 slave columns
  - 6-columns set: 1 master + 5 slave columns
- Interconnecting cables from column to column around the vehicle in a cable circuit with one open end to drive in/out.
- Adjustable wheel forks from 380 to 620 mm.
- Each slave column is equipped with interconnecting cable with plugs at both ends.
- The control system "SCS" guarantee a perfect and smooth synchronization of the lifting columns without speed variations and a continuous monitoring of all functions
- Optional wireless remote control.
- Individual hydraulic wheel jack on each column permits an easy and quick position.
- Lifting columns can be operated individually or all together.
- Safety system against obstacles.
- Mechanical upper height limit stop to protect the piston travel.
- Flow valve to control the lowering speed.
- Safety valve against over-pressure.



Load capacity	7500 Kg per column
Wheel forks length	320 mm
Wheel forks width	380-620 mm
Column height	2300 mm
Overall length	1275 mm
Overall width	1100 mm
Overall height	3655 mm
Lifting stroke	1800 mm
Lifting time	82"
Motor	3 Phase 400 V - 50 Hz. 1,5 Kw / Column
Weight	500 Kg



## CUSTOM DESIGN AND MANUFACTURE BY VELYEN



### SAFETY

Suitable to serve 100% of vehicles safely and in compliance with new European Standards



### OPTIONALS

Wheel forks adapted for light vehicles



### ELECTRIC

Electrical components CE of the leading brands



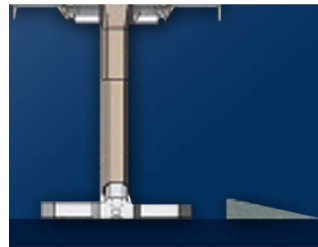
### OPTIONALS

Free wheels cross beam 15t



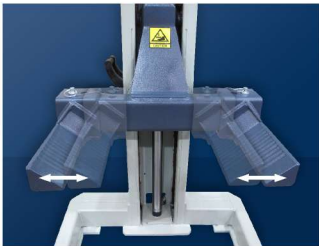
### ELECTRIC

Electrical automatic locking system



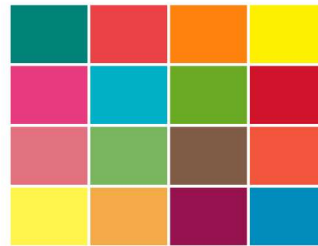
### OPTIONALS

Entry ramps for low forklifts



### DESIGN

Wheel fork designed for asymmetric wheels



### OPTIONALS

Color customization



### OPTIONALS

Axle stands 7.500 Kg